

SL1000H



Production of High-Density Airline Dry Ice Slices

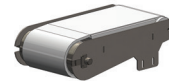
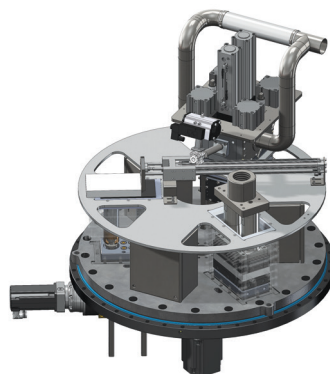


It only takes the touch of a button

The IceTech SL1000H is built on the latest technical advances in industrial PC controls which includes a 12.1" color touch display optimized for easy and intelligent control via multi-lingual context. It only takes a touch of a button to change your slice thickness.



210 x 125 x 18 up to 50 mm



Technical Data

Machine Dimensions mm/inch:

Length: 1526 / 60
Width: 1526 / 60
Height: 2480 / 98

Weight:

kg: 2500 / lbs: 5511

Rated Output:

up to 679 slices/hour
kg/h: 718

of high-quality dry ice slices, depending on the size of slice chosen

Inlet Liquid CO₂ Pressure:

bar: 14 - 18
psi: 203 - 261

Back Pressure on Revert Gas:

bar: 0 - 0.5
psi: 0 - 7.2

CE Power Supply:

3 x 400 V AC + PE, 50Hz,
Imax. 75 A
Ipk: 10 kA

UL Power Supply:

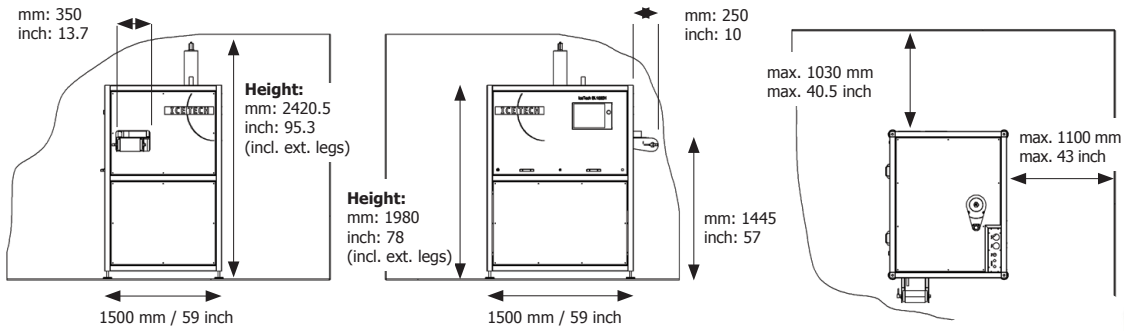
480 V AC Solidly Grounded Wye Source
3 Phase + GND wire, 60 Hz
Imax. 75 A
Control Panel SCCR: 25 kA
rms symmetrical 480 VAC Max.

Rated Power:

kW: 52
Hp: 70

Noise Level Below 75 dB(A)

SL1000H



Floor Characteristics and Minimum Clearance Distances

The IceMaker must be placed on a horizontal concrete floor with an adequate load-carrying capacity. The floor must be free of cracks and structural deficiencies. The minimum clearance distances must be observed to provide sufficient space for opening the cabinet doors and servicing the machine.

Installation

The installation of the machine must be carried out by one of Cold Jet's service technicians or by a technician approved by Cold Jet.

90644 SL1000H 210 x 125 18 - 30 mm

Thickness in mm	18	20	25	30
Weight in kg/slice 210 x 125 mm	0.72	0.80	1.00	1.20
Time Cycle	5.30	5.50	6.00	7.0
Capacity in slice/hr 210 x 125 mm	679	655	600	514
Capacity in kg/hr	488	522	599	616

90646 SL1000H 210 x 125 18 - 50 mm

Thickness in mm	18	25	30	50
Weight in kg/slice 210 x 125 mm	0.72	1.00	1.20	2.0
Time Cycle	6.00	6.00	7.0	10.00
Capacity in slice/hr 210 x 125 mm	600	600	514	360
Capacity in kg/hr	431	599	616	718

Other sizes are available upon request.

If the IceTech SL1000H is connected to your LAN or Internet, the entire display can be transferred to the computer desktop of your choice – anywhere in the world.

This allows online support by using diagnostic software on the industrial PC.

