

# PR350H



## Production of High-Density Dry Ice Pellets



### Technical Data

#### Dimensions mm/inch:

Length: 1500 / 59  
Width: 1000 / 39  
Height: 1800 / 71  
Height: 1845 / 73.6 (incl. ext. legs)

#### Weight:

kg: 1000 / lbs: 2204

#### Rated Output:

kg/h: up to 350  
lbs/h: up to 772  
of high-quality dry ice pellets, depending on the extruder plate applied

#### Pellet Size Diameter:

mm: 3 - 10 or 16  
inch: 0.11 - 0.39 or 0.62

#### Inlet Liquid CO<sub>2</sub> Pressure:

bar: 16 - 22  
psi: 232 - 319

#### Max. Back Pressure on Revert Gas:

bar: 0 - 1  
psi: 0 - 14.5

#### CE Power Supply:

3 x 400 V AC + PE, 50Hz,  
Imax. 32 A

#### UL Power Supply:

3 x 480 V AC + PE, 60Hz,  
Imax. 32 A

#### Rated Power:

KW: 11  
Hp: 15

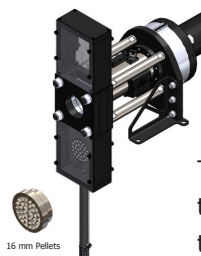
#### Compressed air / CO<sub>2</sub> gas pressure:

bar: 8 - 10  
psi: 116 - 145

#### Air quality:

Class 3 - according to ISO 8573-1

#### Noise Level Below 75 dB(A)



The IceMaker PR350H can produce two sizes of pellets without changing the extruder plates.



3 mm Pellets



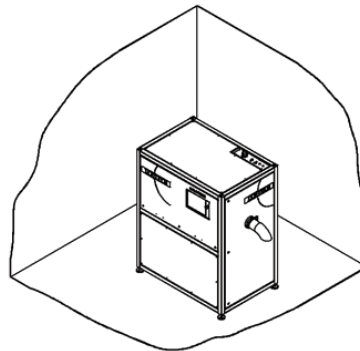
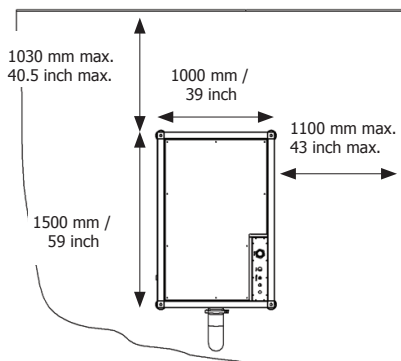
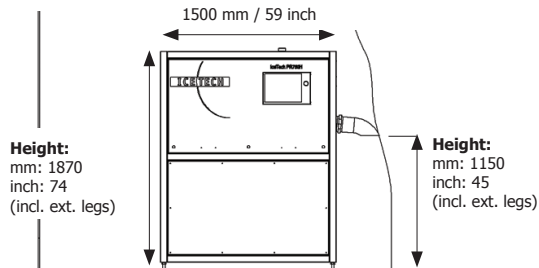
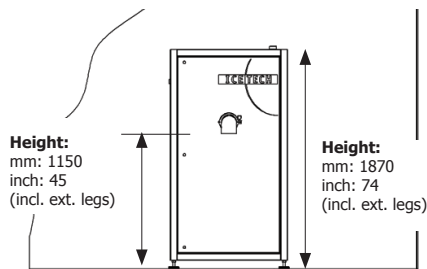
10 mm Pellets



16 mm Pellets

# PR350H

## Production of High-Density Dry Ice Pellets



### Floor Characteristics and Minimum Clearance Distances

- o The pelletizer must be placed on a horizontal concrete floor with an adequate load-carrying capacity. The pelletizer will be anchored to the floor, which must be free of cracks and structural deficiencies
- o The minimum clearance distances must be observed to provide sufficient space for opening the cabinet doors and servicing the pelletizer.

### Installation

The installation of the pelletizer must be carried out by one of Cold Jet's service technicians, or by a technician approved by Cold Jet.

If the IceMaker PR350H is connected to your LAN or Internet, the entire display can be transferred to the computer desktop of your choice – anywhere in the world.

This allows online support by using diagnostic software on the panel PC.

